

914CE16-3

M

DRAWING NUMBER

ISSUE

3

RELEASE NO. PR-6431-T REPLACES

CHECK

REVISIONS

A	CO	51267
	T S K	
5	APR	82
A	CO	51367
	T S K	
6	APR	82
B	CO59783	
	C J H	
3	JUL	86

CHECK

22 JUNE 78

C E B

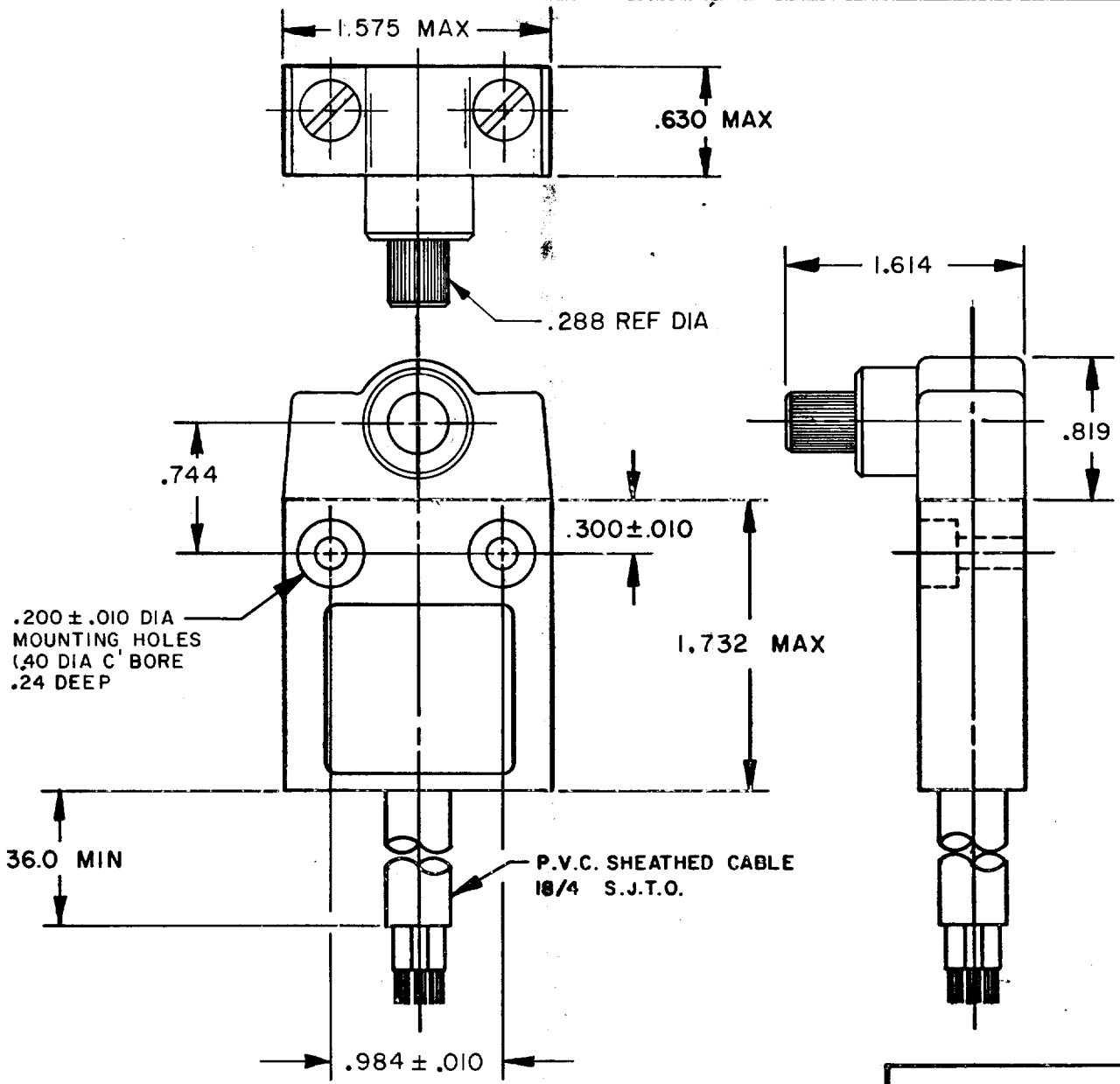
77

28 APR

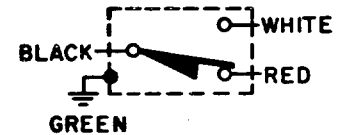
J A L

FO-52846-A

DRAWN

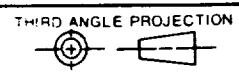


NOTE -
 1 - ZINC HOUSING FINISHED WITH GRAY PAINT
 2 - SWITCH WILL ACTUATE IN BOTH DIRECTIONS



CIRCUIT DIAGRAM

THIS DRAWING COVERS A PROPRIETARY ITEM AND IS THE PROPERTY OF MICRO SWITCH. A DIVISION OF HONEYWELL. THIS DRAWING IS NOT TO BE COPIED OR USED WITHOUT THE APPROVAL OF MICRO SWITCH.



CHARACTERISTICS
OPERATING FORCE --- 3 IN. LB MAX
RELEASE FORCE ----- 10 IN. OZ MAX
PRETRAVEL ----- 30° MAX
DIFFERENTIAL TRAVEL --- 3° MAX
OVERTRAVEL ----- 40° MIN

ELECTRICAL DATA
CONTACT ARRANGEMENT S P D T
5A - 125 OR 250 VAC 1/10HP - 125 OR 250 VAC
UL
SP

SCALE	FULL																				
DO NOT SCALE PRINT																					
TOLERANCES																					
APPLY TO DESIGN UNITS. CONVERSIONS ARE ONLY FOR REFERENCE. UNLESS NOTED, TOLERANCES ARE ±																					
NO PLACES ONE PLACE TWO PLACES THREE PLACES ANGLES	<table border="1"> <thead> <tr> <th>DIM.</th> <th>TOL.</th> <th>DIM.</th> <th>TOL.</th> </tr> <tr> <th>in</th> <th>mm/in</th> <th>in</th> <th>mm/in</th> </tr> </thead> <tbody> <tr> <td>X</td> <td>1/.04</td> <td>X X</td> <td>0.01/.03</td> </tr> <tr> <td>X X</td> <td>0.4/.016</td> <td>X X X</td> <td>0.38/.015</td> </tr> <tr> <td>X X X</td> <td>0.15/.008</td> <td>X X X X</td> <td>0.13/.005</td> </tr> </tbody> </table>	DIM.	TOL.	DIM.	TOL.	in	mm/in	in	mm/in	X	1/.04	X X	0.01/.03	X X	0.4/.016	X X X	0.38/.015	X X X	0.15/.008	X X X X	0.13/.005
DIM.	TOL.	DIM.	TOL.																		
in	mm/in	in	mm/in																		
X	1/.04	X X	0.01/.03																		
X X	0.4/.016	X X X	0.38/.015																		
X X X	0.15/.008	X X X X	0.13/.005																		
DESIGN UNITS	<input type="checkbox"/> METRIC <input checked="" type="checkbox"/> US CUSTOMARY																				
WEIGHT																					